



Modules certified by TÜV SÜD (IEC61215, IEC 61730 standards) in the extreme conditions (temperature, load, impact) with good performance.



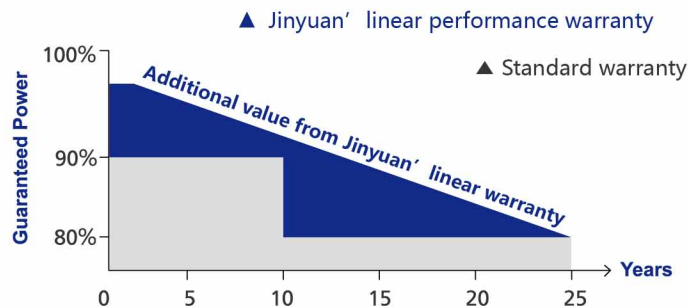
The good weak light performance(morning,evening and cloudy day) has been tested and approved by professional third-party.



Guarantee from $\pm 3\%$ as power tolerance.



100% EL test before and after lamination, and finished products EL test, providing higher quality assurance.



- For a period of twenty-five (25)years commencing on the Warranty Start Date, loss of power output of the nominal power output measured at Standard Test Conditions (STC) for the Product(s) shall not exceed:
- 1.Within a period of one (1) year from the Warranty Start Date, the module output will be at least 97% of the rated power output specified in the original product label.
- 2.During the next twenty-five (25) years, the module power output will degrade no more than 0.708% per year of the rated power output specified in the original product label. Therefore, at the end of the warranty period, the guaranteed module power output will be at least 80.008% of the rated power output specified in the original product label.



GUANGDONG JINYUAN LIGHTING TECHNOLOGY CO.,LTD
 E-mail: info@jinyuanlighting.com Tel: +86-768-2800688
 Web: www.jinyuanlighting.com Fax: +86-768-2800788
 Add: D5-8-3 Factory district,Beizhanxi road, Chaozhou Economic
 Development Pilot Zone, 521000 Chaozhou City, Guangdong Province,
 PEOPLE'S REPUBLIC OF CHINA.
 MADE IN CHINA

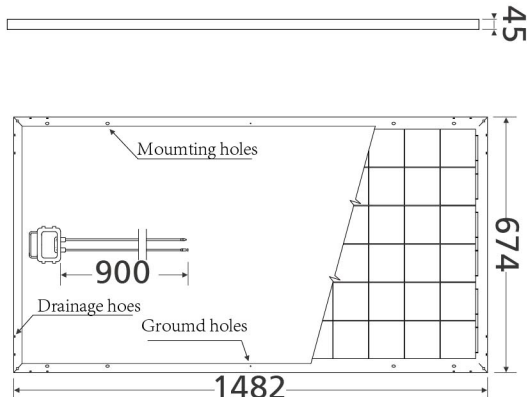
JYxxxM36 (xxx=165,170)

(5BB)

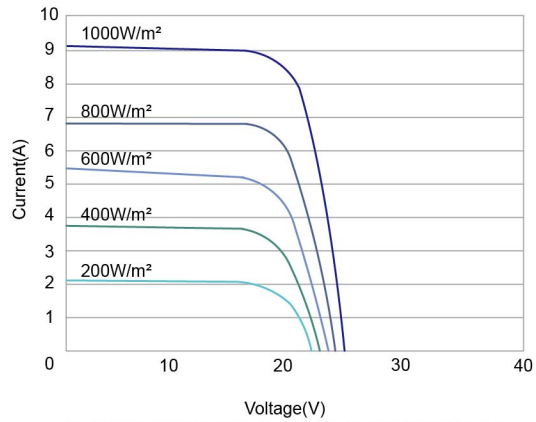


High Efficiency
Mono-crystalline Solar Module

Dimensions
(unit:mm)



I-V Curves



I-V Curves of PV module JYxxxM36 at different light power

Electrical Characteristics

Solar-cells:	Mono-Crystalline	156.75×156.75mm
	36pcs (4×9)	—5 bus bars
Max-power [W]	165	170
Power tolerance	±3%	
Voltage at Pmax (Vmp) [V]	19.1	19.5
Current at Pmax (Imp) [A]	8.64	8.99
Open-circuit voltage (Voc) [V]	23.1±3%	23.2±3%
Short-circuit current (Isc) [A]	9.58±5%	9.61±5%
Max-system voltage (Vdc) [V]	1000	
No. of bypass diodes	2	
Max. series fuse [A]	15	
Temperature coefficient of Pmax	-0.395%/°C	
Temperature coefficient of Voc	-0.317%/°C	
Temperature coefficient of Isc	0.0577%/°C	
Nominal module operating temperature(NMOT)	45±2°C	

*STC Conditions (1000W/m²;1.5AM and 25°C cell temperature)

Mechanical Characteristics

Cable type, diameter and length	Φ=4mm², L=900±5mm
Type of connector	PV-C001, PV-C002, PV-JK03M-1B, PV-JK03M-2B, PV-KST4/xy-UR(male)&PV-KBT4/xy-UR(female), PV-KST4-EV02/XY(male)&PV-KBT4-EV02/XY(female)
Dimension A×B×C	1482×674×45mm
Weight	11.9kg
No. of Draining holes in frame	16
Construction	Glass: Tempered glass 3.2mm Encapsulation: EVA Back side: White
Junction box	IP67 Rated
Frame	Clear anodized aluminium alloy type 6063T5 frame

Qualification Test Parameters

Dielectric insulation voltage	6000Vdc max
Operating Temperature	-40°C~+85°C
Design load	3600 Pa for positive (downward) and 1600 Pa for negative (upward)
Safety factor γ_m	1.5
Hailstone impact	25mm(1inch) at 23m/s(52mph)
Fire Safety Class	Class C
Packaging Configuration	23pcs/box
Loading Capacity	812pcs/40HQ 348pcs/20GP